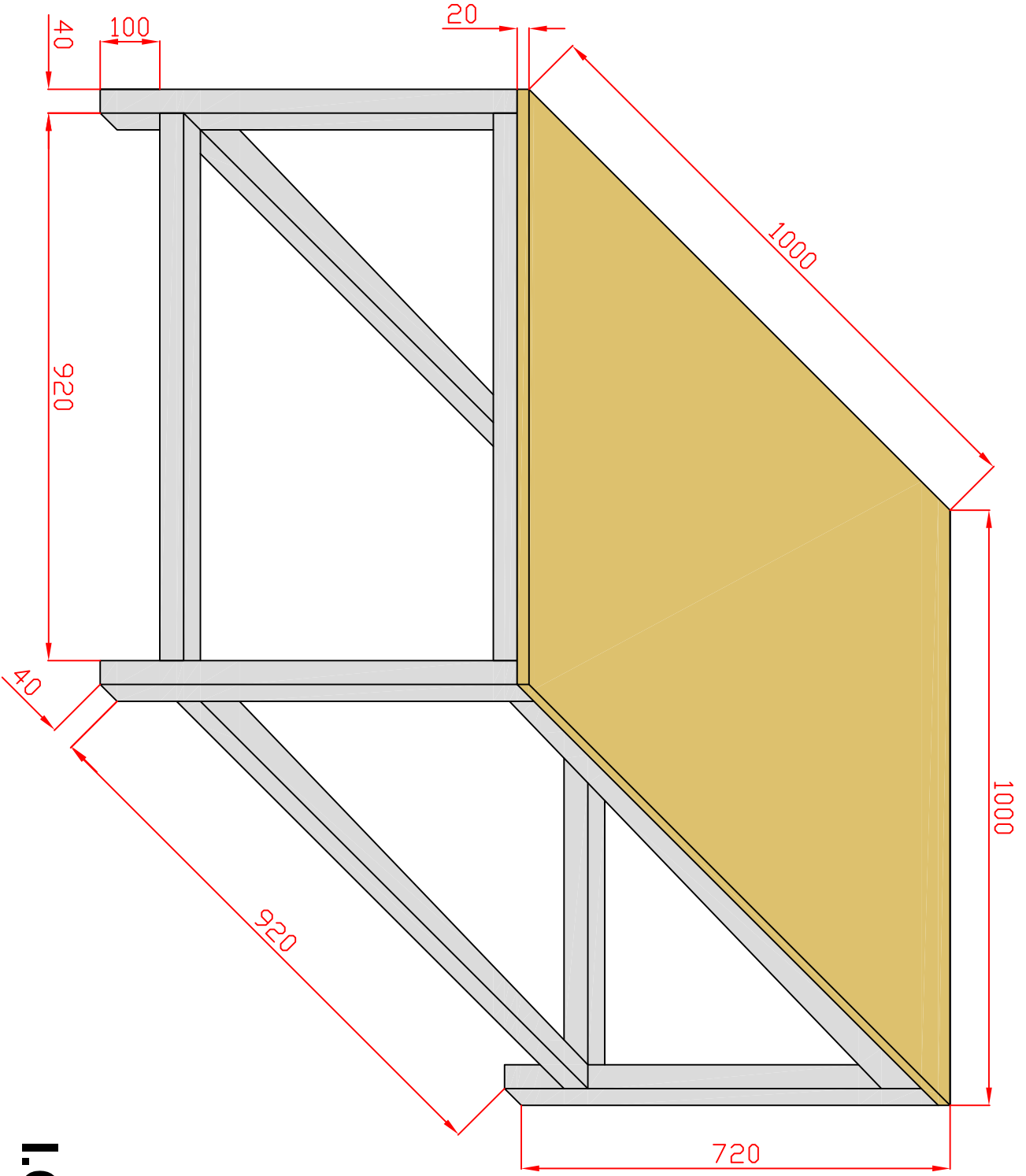


USER

REVDATE

FNAME



I.C.S.
srl